



Mobility Caring

Your destination for independent living



Soteria

SUPPORTED INDEPENDENT LIVING

Soteria Medical Multi-Motion
Bed **User Manual**

Contents

Section	Title	Page
1	Welcome and Introduction	2
2	Installation Guide - Step-by-step instructions for setting up your bed.	3
3	Features - Detailed descriptions of the bed's capabilities and how to operate.	4
4	Maintenance Guidelines - Tips and schedule for maintaining your bed.	4
5	Safety & Precautions - Important safety information.	5
6	Specifications - Dimensions, weight capacities, and other details.	6
7	Troubleshooting and Support - Common issues and how to resolve.	7
8	Warranty - Details of the warranty coverage for various bed components.	8
9	Recycle & Disposal - How to responsibly dispose of parts and packaging.	13

No part of this user manual may be copied, distributed, reproduced, duplicated, scanned or stored whether in whole or part in any form or by any means without the expressed written consent from Mobility Caring Pty Ltd. Mobility Caring does not accept responsibility for any changes, errors or omissions. All information is subject to change without prior notice and products may vary from that of the actual images depicted.

1 Welcome & Introduction



Welcome and Introduction

Welcome to the comfort and innovation of your new Soteria Multi-Motion Bed. Designed with your health and convenience in mind, this manual will guide you through the features and benefits of your bed, ensuring a smooth and enjoyable experience.



Assembly

- ❖ The bed comes fully assembled and is ready for immediate use. Due to the product's weight, it's important to use proper lifting techniques to prevent injury.
- ❖ **Hand Control:** Located near the control box and packaged securely in a poly bag, the hand control should be removed carefully and placed within easy reach for effortless operation.
- ❖ **Power Cord:** Similarly packaged in a poly bag near the control box, the power cord should be carefully extracted and plugged into the power supply.
- ❖ **Castors:** Each leg of the bed is fitted with two castors. Ensure the brakes on all castors are engaged to stabilize the bed before use.
- ❖ **Function Test:** Before using the bed, conduct a comprehensive test of all its functions to confirm they are operating correctly. Examine each section and feature for signs of malfunction. Should any issues arise, cease using the bed immediately and contact your authorised Mobility Caring dealer for a quick resolution.



$\frac{3}{4}$ Side Rails (Pair)



Assembly

1. Position the side rails with the release lever facing towards the foot end of the bed.
2. Place the 'U' shaped bracket of the side rails over the top of the bed frame.
3. Insert the star-shaped screw into the bracket and tighten the rail to the frame. Ensure this is secured tightly prior to use.

Bed Stick
(Universal Fit)



Low Side Rail
(Universal Fit)



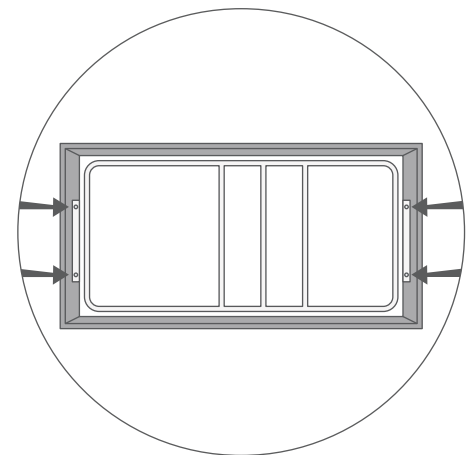
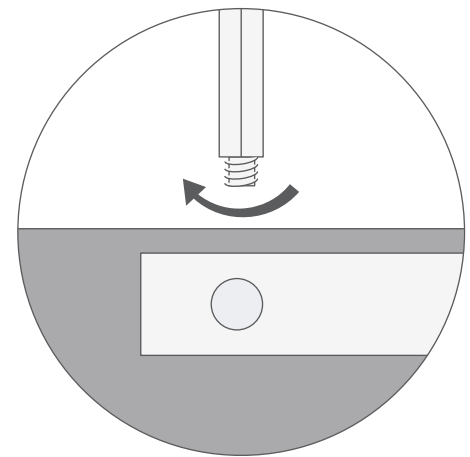
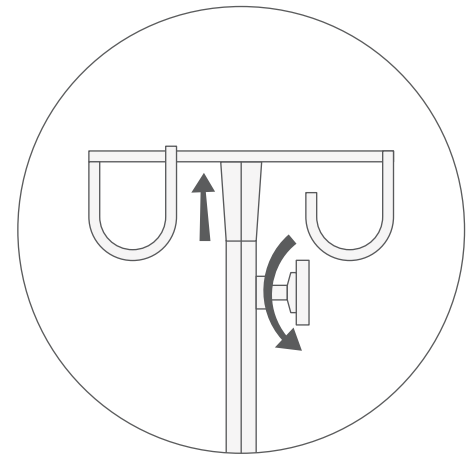
High Side Rail
(Universal Fit)



Assembly

1. Place the 'U' shaped bracket of the rail on top of the bed frame.
2. Insert the nut on the outside and the bolt on the inside and tighten it. Ensure this is tightened with the required tools prior to use.

IV Pole

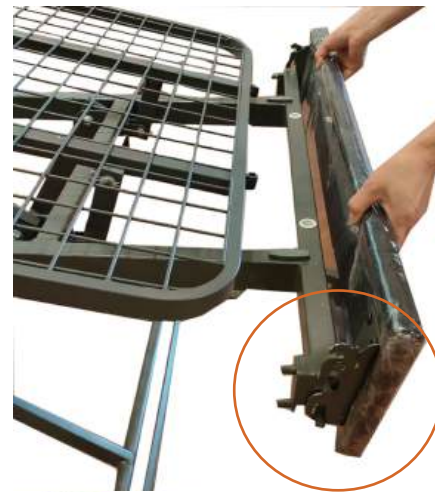


Assembly

There are 4 designated places where the IV pole can be positioned. 2 located on the head end and 2 on the foot end.

1. Place foot end of the IV pole on the one of the 4 spots and rotate clockwise to tighten it.

Head Board



Step 1



Step 2



Step 3

Surrounding



Step 1



Step 2



Step 3



Step 4

Assembly

1. Align the 2 hook points with the 2 prongs featured on either side of surround.
2. Push down, to lock in the pins within the hook mechanism. Ensure loop hook is over the prongs as well.
3. To disassemble, lift the locking hook away from prong on both sides of surround and lift upwards to release

Foot Board

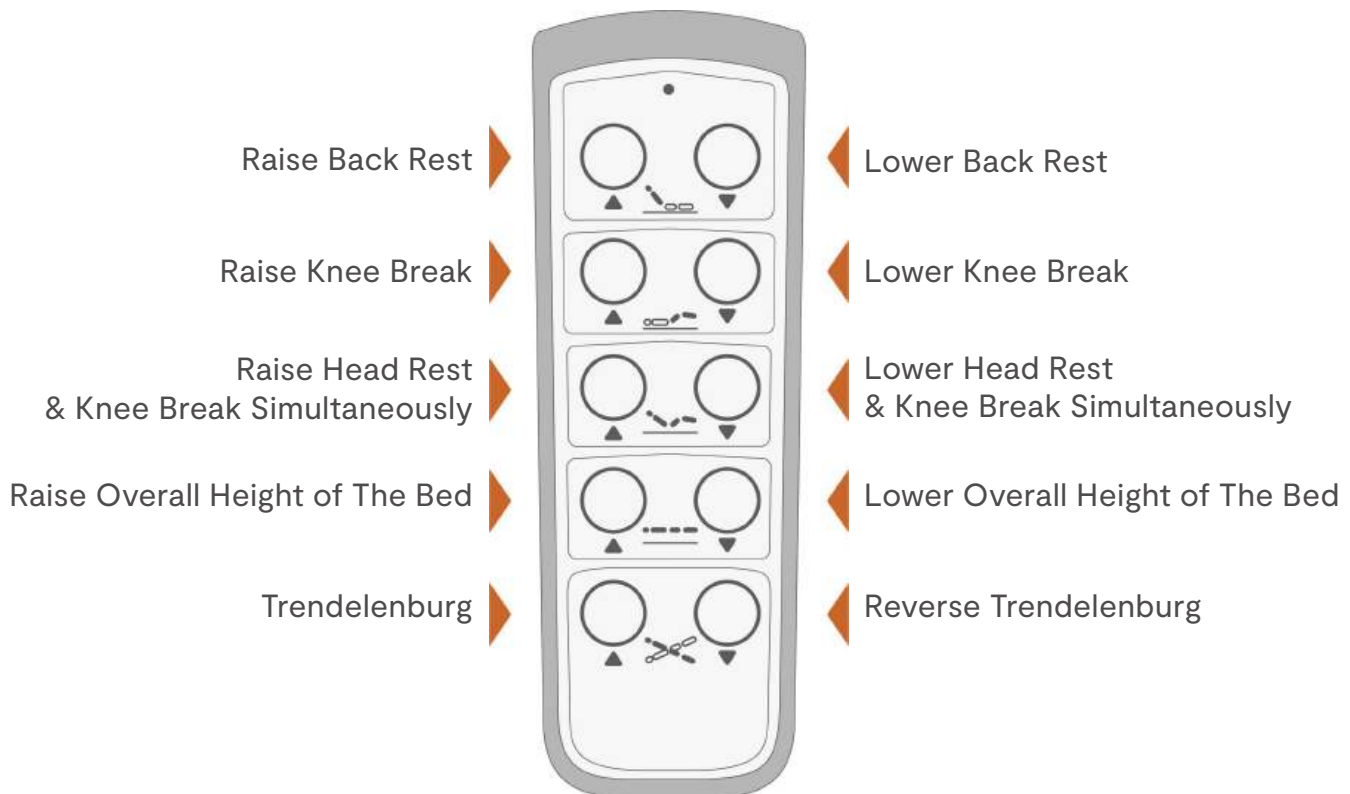


Assembly

1. Align and loop the connecting system on the foot board through the gap between frame and surround.
2. Connect the hook to ring pull, as shown in picture 2. Then close the ring pull to lock system in. Ensure both sides are looped and locked properly.

Bed Features & Operations 4

- Sophisticated Styling - A sleek, modern look that complements any room.
- All-Inclusive Medical Bed - Equipped with full medical functionalities for optimal care.
- Adjustable Positions for Comfort - Includes Trendelenburg and Reverse-Trendelenburg settings for therapeutic benefits.
- Extremely Low Profile - The bed can be adjusted to a very low height for safety and ease of use.
- Built-In Emergency Battery - Ensures operation even during power outages.
- Ergonomic Hand Controls - User-friendly controls for easy adjustments of bed settings.



Using the Hand Control

- Press and hold the button to activate the function.
- Release the button to deactivate the function.

Maintenance Guidelines 4

Maintain the optimal functioning of your Soteria bed with our straightforward maintenance tips. Regular checks and cleaning will preserve its condition and functionality.

- ❖ **Cleaning:** Before cleaning the bed, disconnect the power cord. Use a clean cloth to wipe down all bed surfaces and ensure the bed is completely dry before reconnecting it to the power outlet.
- ❖ **Inspecting hand controls and power cords:** Regularly check the hand control and power cord for signs of wear and tear. Should any damage be observed, stop using the bed immediately and replace the necessary components. Every three months, conduct a full test of all bed functions to their maximum limits. Report any malfunctions to an authorized service technician.
- ❖ **Maintaining the battery backup:** The Royale Bed features an in-built battery backup system. To maintain reliability, service the battery backup every 6 months.
- ❖ **Checking castors and brakes:** Regularly examine the castors and their brakes for wear or damage. If any issues are detected, contact an authorized dealer to arrange for replacements.
- ❖ **Moving the bed:** Disconnect the remote control and power cord before moving the bed. Once in the desired position, lock the castors to secure the bed.

For all replacement parts, after-sales support, and repair services, please contact Mobility Caring Dealers as they will provide the necessary assistance.



Safety Warnings & Precautions 5

Supervision of Children - Always supervise children in the vicinity of the bed to ensure their safety.

Caution with Moving Parts - Be vigilant about the bed's moving parts. Ensure that no body parts, clothing, or other items get entangled during operation.

Patient Safety - To prevent entrapment risks, keep the mattress support platform flat when unattended.

Adherence to Safe Working Load - Do not exceed the bed's specified safe working load, which includes the weight of the patient(s), mattress, and any accessories.

Handling of Electronics - Keep all electronic components away from heat and regularly inspect them for signs of damage.

Utilization of Brake Castors - Engage the lockable brake castors on all four wheels to secure the bed when it's stationary or in use.

Use of Recommended Accessories - Employ only accessories specifically designed for this bed, and contact Mobility Caring Dealers for a comprehensive list of suitable accessories.

Response to Liquid Spills - Disconnect the bed from power and clean up any spills immediately, ensuring the area is dry before reconnecting.

Guidelines for Moving and Storage - Unplug the bed if it needs to be moved, stored, or not used for a lengthy period.

Seeking Professional Assistance - In case of issues or for repairs, contact an authorized Mobility Caring service center.

Cable Management - Keep cables organized to prevent tripping hazards.

6 Specifications

Specifications	Single	King Single	Double	Queen
Overall Width	100cm	115cm	143cm	158cm
Overall Length	222cm	222cm	214cm	214cm
Mattress Platform Width	90cm	105cm	135cm	150cm
Mattress Platform Length	203cm	203cm	203cm	203cm
Mattress Platform Height	21–64cm	21–64cm	21–64cm	23–65cm
Overall Height	24–69cm	24–69cm	24–69cm	24–67cm
Back Rest Angle Adjustment	0° to 60°	0° to 60°	0° to 60°	0° to 60°
Knee Break Angle Adjustment	0° to 45°	0° to 45°	0° to 45°	0° to 45°
Trendelenburg Tilt Degree	0° to 13°	0° to 13°	0° to 13°	0° to 13°
SWL (inclusive of accessories)	210kg	210kg	310kg	310kg

8 Warranty & Service Information

Mobility Caring provide warranty on the following parts of the multi-motion bed. It is up to the discretion of the dealer to provide repair or replacement of the following should they be deemed defective in material and/or workmanship following on from the examination from an authorized representative.

1. Electronics including hand control, motor and all cables – 2 years
2. Battery backup – 1 year
3. Frame mechanism – 10 years
4. Timber frame (structural and workmanship) – 5 years

PARTS NOT COVERED UNDER WARRANTY:

1. Fabric on the bed surround – This is a wear item and may show signs of wear and tear over time. Please contact your authorized dealer should replacement be required.

Note:

- **Mobility Caring does not warrant any damage which is deemed accidental or as a result of misuse.**
- **Mobility Caring will only provide the required parts under warranty.**
- **Please contact your Mobility Caring dealer for more information related to labour and freight charges which may be required.**

Environmental Care & Disposal Instructions 9

How to responsibly dispose of bed parts and packaging.

- Frame: tubular steel frame
- Surrounds: wooden frame covered with fabric and foam
- Hand control, power cord and actuators: plastic and metal
- Battery Backup: lead acid (needs to be separated and disposed as of local government rules)
- Castors: metal rim with plastic brake and tyre
- Packaging: cardboard carton and plastic

Please follow the local government rules in regards to the proper disposal and recycling.



Soteria

SUPPORTED INDEPENDENT LIVING



Mobility Caring
Your destination for independent living

Mobility Caring
2/6 Heald Rd
Ingleburn NSW 2565

1300 108 622 | mobilitycaring.com.au

©2024 Soteria. Mobility Caring Pty Ltd