

# Igo Fold Owner's Manual



---

## Safety Guidelines



**WARNING!** An authorized retailer or a qualified technician must perform the initial setup of this power chair and must perform all of the procedures in this manual.

The symbols below are used throughout this owner's manual and on the power chair to identify warnings and important information. It is very important for you to read them and understand them completely.



**WARNING!** Indicates a potentially hazardous condition/situation. Failure to follow designated procedures can cause either personal injury, component damage, or malfunction. On the product, this icon is represented as a black symbol on a yellow triangle with a black border.



**MANDATORY!** These actions should be performed as specified. Failure to perform mandatory actions can cause personal injury and/or equipment damage. On the product, this icon is represented as a white symbol on a blue dot with a white border.



**PROHIBITED!** These actions are prohibited. These actions should not be performed at any time or in any circumstances. Performing a prohibited action can cause personal injury and/or equipment damage. On the product, this icon is represented as a black symbol with a red circle and red slash.

### Intended Use

The intended use of this product is to provide mobility to persons limited to a seated position that have the capacity of operating a powered wheelchair.

### Quick Reference Information

Authorized retailer: \_\_\_\_\_

Address: \_\_\_\_\_

Telephone: \_\_\_\_\_

Purchase Date: \_\_\_\_\_

**NOTE:** This owner's manual is compiled from the latest specifications and product information available at the time of publication. We reserve the right to make changes as they become necessary. Any changes to our products may cause slight variations between the illustrations and explanations in this manual and the product you have purchased. The latest/current version of this manual is available on our website.

**NOTE:** This product is compliant with WEEE, RoHS, and REACH directives and requirements.

**NOTE:** This product and its components are not made with natural rubber latex. Consult with the manufacturer regarding any after-market accessories.

Copyright © 2020

P4020050 / Rev A / July 2020

## Table of Contents

---

<b>Introduction .....</b>	<b>4</b>
<b>Safety .....</b>	<b>5</b>
<b>Your Power Chair .....</b>	<b>7</b>
<b>Assembly/Disassembly .....</b>	<b>13</b>
<b>Batteries and Charging.....</b>	<b>18</b>
<b>Care and Maintenance .....</b>	<b>24</b>

## LANGUAGE USAGE

This owner's manual is intended for distribution in all English-speaking countries where our power chairs are sold. We have chosen to compose this manual using language and spellings common to the USA. Since we recognize that not all English-speaking countries use the same words or spellings, please refer to the following chart for some common word variations that may be encountered throughout this manual.

USA	Variation	USA	Variation	USA	Variation
asphalt	tarmac	backward(s)	rearward(s)	center	centre
color	colour	cord	lead	curb	kerb
elevator	lift	meter	metre	provider	dealer; agent
sidewalk	pavement	tire	tyre	trunk	boot
turn signal	turn indicator	yard	grounds	wrench	spanner
caster	castor	pocketbook	handbag	counterclockwise	anticlockwise
authorized	authorised	path	footpath	path	bridleway
labor	labour				

## Safety

The power chair you have purchased combines state-of-the-art components with **safety**, comfort, and styling in mind. We are confident that these design features will provide you with the conveniences you expect during your daily activities. Once you understand how to **safely** operate and care for your power chair, it should give you years of trouble-free operation and service.

**Read and follow** all instructions, warnings, and notes in this manual before attempting to operate your power chair for the first time. You must also read all instructions, warnings, and notes contained in any supplemental instructional booklets for the controller that accompanied your power chair before initial operation. Your **safety** depends upon you, as well as your provider, caretaker, or healthcare professional in using good judgment.

If there is any information in this manual which you do not understand, or if you require additional assistance for setup or operation, please contact your authorized retailer. **Failure to follow the instructions in this manual and those located on your power chair can lead to personal injury and/or damage to the power chair, including voiding the warranty.**

## Purchaser's Agreement

By accepting delivery of this product, you promise that you will not change, alter, or modify this product or remove or render inoperable or unsafe any guards, shields, or other safety features of this product; fail, refuse, or neglect to install any retrofit kits from time to time provided by the authorized EU representative to enhance or preserve the safe use of this product.

## Shipping and Delivery

Before using your power chair, make sure your delivery is complete as some components may be individually packaged. If you do not receive a complete delivery, please contact your authorized retailer immediately. Where damage has occurred during transport, either to the packaging or content, please contact the delivery company responsible.

***NOTE: If you ever lose or misplace your copy of this manual, contact us and we will be glad to send you a new one immediately.***

## Product Safety Symbols

The symbols below are used on the power chair to identify warnings, mandatory actions, and prohibited actions. It is very important for you to read and understand them completely.

**NOTE: There are more warnings identified and explained in the Consumer Safety Guide that is included with your power chair. Please become familiar with all the warnings and safety information found in the Consumer Safety Guide.**



Read and follow the information in the owner's manual.



Locked and in drive mode.

Unlocked and in freewheel mode.



Class II Equipment



Power Chair information label



Manufactured in



Do not remove the anti-tip wheels.



Pinch Point Label

## General Guidelines



**MANDATORY!** Do not operate your new power chair for the first time without completely reading and understanding this owner's manual.

Your power chair is a state-of-the-art life-enhancement device designed to increase mobility. There is an extensive variety of products to best fit the individual needs of the power chair user. Please be aware that the final selection and purchasing decision regarding the type of power chair to be used is the responsibility of the power chair user, who is capable of making such a decision, and his/her healthcare professional (i.e., medical doctor, physical therapist, etc.).

The contents of this manual are based on the expectation that a mobility device expert has properly fitted the power chair to the user and has assisted the prescribing healthcare professional and/or the authorized retailer in the instruction process for the use of the product.

There are certain situations, including some medical conditions, where the power chair user will need to practice operating the power chair in the presence of a trained attendant. A trained attendant can be defined as a family member or care professional specially trained in assisting a power chair user in various daily living activities.

As you begin using your power chair during daily activities, you will probably encounter situations in which you will need some practice. Simply take your time and you will soon be in full and confident control as you maneuver through doorways, on and off of lifts, up and down ramps, and over moderate terrain.

Below are some precautions, tips, and other safety considerations that will help you become accustomed to operating your power chair safely.

### Pre-Ride Safety Check

Get to know the feel of your power chair and its capabilities. It is recommended that you perform a safety check before each use to make sure your power chair operates smoothly and safely.

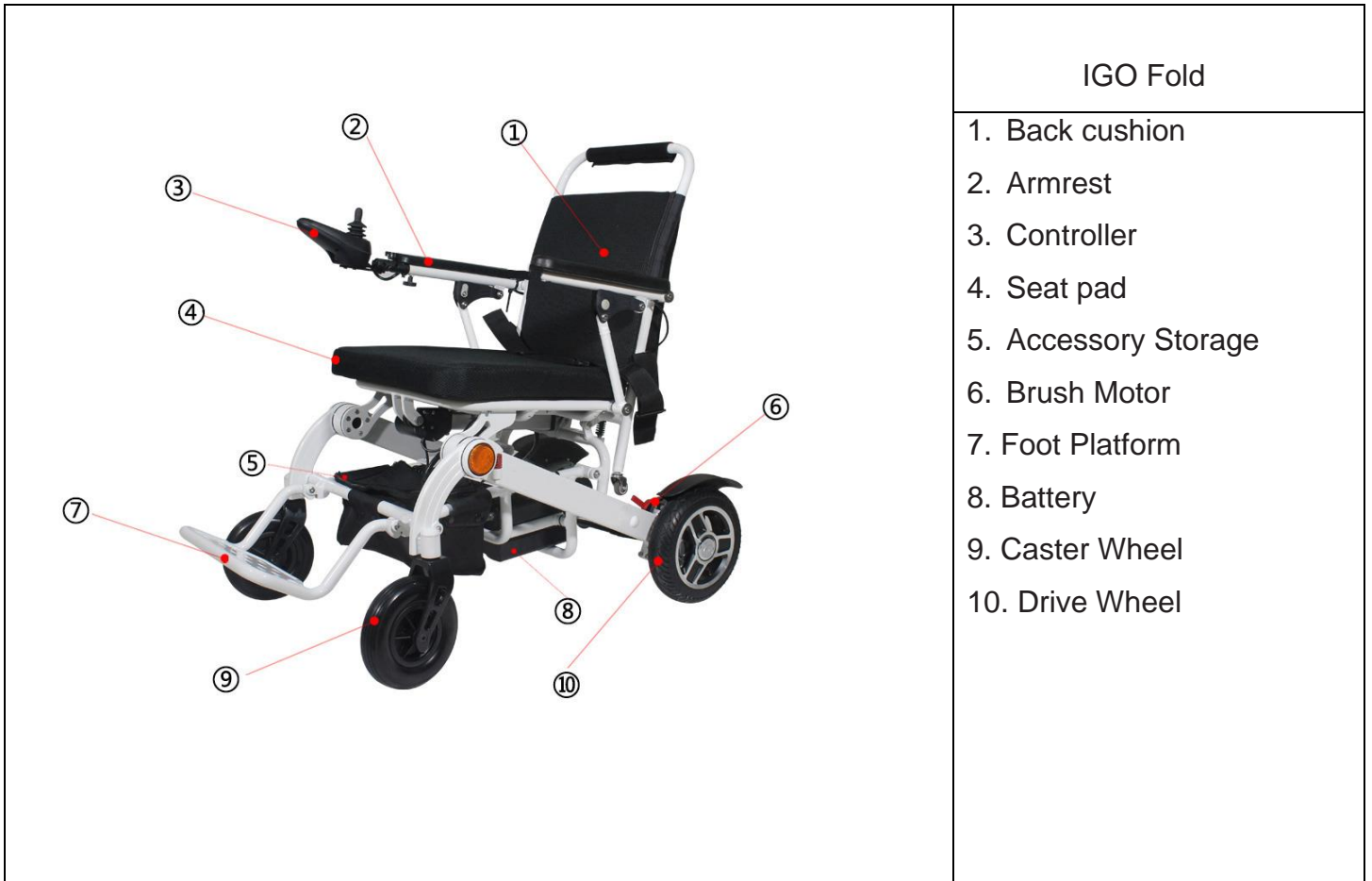
### Perform the following inspections prior to using your power chair:

- ④ Check for proper tire inflation. Maintain but do not exceed the psi/bar/kPa air pressure rating indicated on each tire if equipped with pneumatic tires.
- ④ Check all electrical connections. Make sure they are tight and not corroded.
- ④ Check all controller connections to the power base. Make sure they are secured properly.
- ④ Check the brakes. See "Care and Maintenance."
- ④ Check battery charge. See "Batteries and Charging."
- ④ Ensure the manual freewheel levers are in drive mode before sitting on the power chair.

**NOTE: If you discover a problem, contact your authorized retailer for assistance.**

## The IGO Fold

The IGO Fold is a power chair that you can easily fold for transportation or storage. The battery box slides into the rear of the power base. **See figures 1 and 2** for power chair components.



**Figure 1: IGO Fold**



### IGO Fold

- |                    |                                     |
|--------------------|-------------------------------------|
| 1. Freewheel Lever | 4. Light                            |
| 2. Battery Box     | 5. Controller Charger Port Location |
| 3. Anti-tip wheel  | 6. Battery Charger Port Location    |
|                    | 7. Stand Wheel                      |



Figure 2. Power Base

### Electrical Components

The electrical components are located on the power base. The main circuit breaker is located on the back of the battery box, beneath the handle. **See figure 2.**

**Controller Connector:** This is where the controller connects to the power base. Each controller uses a different type of cable. Regardless of which type of controller is used, the cable must be secured to the assembly and not allowed to drag on the floor.

**Battery Box Charger Port:** This enables you to charge the battery when the battery box is removed from the power base. See “Batteries and Charging.”

**Battery Power Switch:** This switch turns the battery power on and off. When the switch is in the “I” position, the battery is on. The battery can be powered off for long-term storage by switching it to the “0” position.

**Main Circuit Breaker:** The main circuit breaker is a safety feature built into your power chair. When the battery and the motors are heavily strained (e.g., from excessive loads), the main circuit breaker trips to prevent damage to the motors and the electronics. If the circuit trips, allow your power chair to “rest” for approximately one minute. Next, push in the circuit breaker button and continue normal operation. If the main circuit breaker continues to trip repeatedly, contact an authorized retailer.

## Manual Freewheel Levers

For your convenience, your power chair has a manual freewheel lever on each motor. Manual freewheel levers enable you to disable the drive system in order to maneuver the chair manually.



**WARNING!** Do not use the power chair while the drive motors are disengaged! Do not disengage the drive motors when the power chair is on an incline or decline, as the unit could roll on its own! Only engage the freewheel mode when on a level surface.



**WARNING!** It is important to remember that when your power chair is in freewheel mode, the braking system is disengaged.

**WARNING!** Do not disengage the drive motors while the power chair is occupied.

**NOTE:** It is strongly recommends you do not charge your battery while in freewheel mode.

**NOTE:** You must turn off the power before disabling the drive systems; otherwise, you may get an error code on the controller. To clear this code, turn off the controller and place the power chair in drive mode. Then turn on the controller. The error message should be cleared. If not, contact an authorized retailer.

To engage or disengage the drive motors:

1. Locate the lever on each motor. **See figure 3.**
2. Rotate the manual freewheel levers outward to disengage the drive motors (freewheel mode). **See figure 3.**
3. Rotate the manual freewheel levers inward to engage the drive motors (drive mode). **See figure 3.**



**WARNING!** Do not use the freewheel lever handles as tie-down points to secure this product.

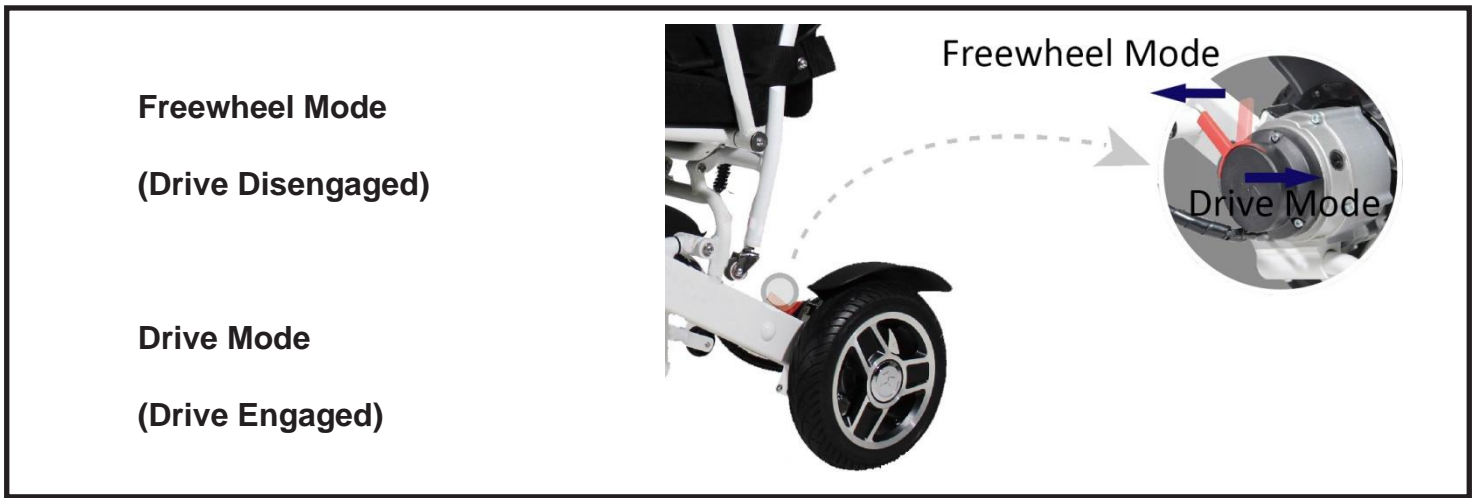
## Anti-Tip Wheels

The anti-tip wheels are an integral and important safety feature of your power chair. They are attached to the frame at the rear of the chair. **See figures 2 and 3.**



**PROHIBITED!** Do not remove the anti-tip wheels or modify your power chair in any way.

Figure 3. Freewheel Levers



## Storage Compartments

Your power chair is equipped with two storage compartments. They are located on the seatback, and in between the seat and the foot platform.

**WARNING! No personal property or valuables should be stored in any storage compartment and left unattended.**



**WARNING! The storage compartment on the rear of the seatback is for small personal items. Avoid storing sharp objects in the storage compartments.**

**WARNING! Do not carry heavy baggage weighing more than 5 lbs. (2.3 kg) in the storage compartments. Carrying or tying baggage in excess of 5 lbs. (2.3 kg) in the storage compartments may affect the center of gravity, resulting in a tip or a fall.**

## Initial Assembly

Your power chair may require some assembly either before initial use or after transportation. It may also require disassembly to make some comfort adjustments.

**NOTE:** Any nylon insert lock nut removed during the disassembly or adjustment of the power chair must be replaced with a new nut. Nylon insert lock nuts should not be reused as it may cause damage to the nylon insert, resulting in a less secure fit. Replacement nylon insert lock nuts are available at local hardware stores or through your authorized retailer.

### To assemble your power chair:

1. Unfold the power chair assembly. See “Folding and Unfolding.”
2. Install the battery box into the battery tray by sliding it horizontally into the rear of the frame beneath the seat until the securement pin clicks into place. **See figure 4.**
3. Flip up the armrests.
4. Adjust the controller. **See figure 5.**
5. Remove the battery charger from the box and plug into the controller charger port. Follow the charging instructions printed on the charger. **See figure 12.**

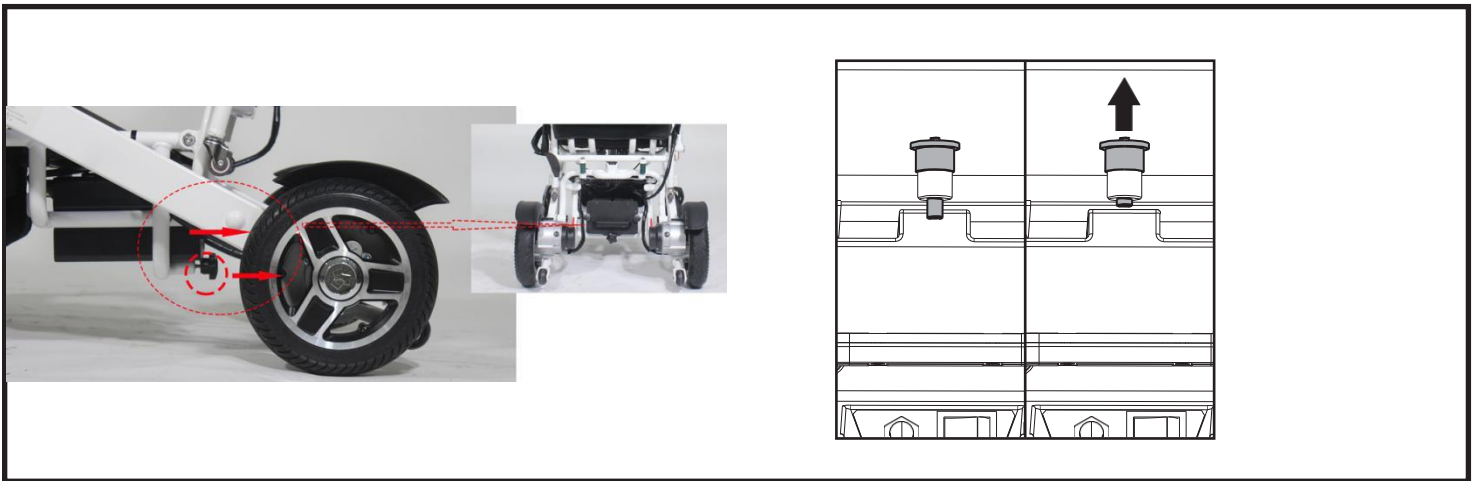


Figure 4. Battery Box Removal/Installation



**MANDATORY!** Prevent controller harness damage! Avoid routing the controller harness on the outside of the armrest pad. Route the harness under the armrest or toward the inside of the armrest pad. Use correct tie-down points for the controller harness to prevent the harness from getting caught in the drive tires, pinched in the seat frame, or damaged when passing through doorways.

### Disassembly

The power chair disassembles into four components: the base, the battery box, the cup holder, and the controller.

#### To disassemble the power chair:

1. Turn off the power to the controller.
2. Place the power chair in drive mode, if not in drive mode already. See “Your Power Chair.”
3. Unlatch the quick adjust the rotate knob, **See figure 5.**
4. Grasp the battery box handle and lift up the locking pin to disengage the box from the power base, then slide the battery box out of the power base. **See figure 4.**

### Folding and Unfolding

Your power chair can be folded for easy transportation and storage.

#### To fold the power chair:

1. Fold step from pic 1 to 5. **See figure 6**
2. Press controller button 1 to turn on the controller. **See figure 6**
3. Keep Pressing the controller button 7 for 3 seconds, make the wheelchair go to fold/unfold mode. **See figure 6 or 7**
4. Keep Pressing the controller button 8 for 3 seconds, the wheelchair will fold automatically. **See figure 6**

#### To unfold the power chair:

1. Reverse the steps from Pic 1 to Pic 5. **See figure 6.**
2. Press controller button 1 to turn on the controller. **See figure 6**
3. Keep Pressing the controller button 7 for 3 seconds, make the wheelchair go to fold/unfold mode. **See figure 6**
4. Keep Pressing the controller button 9 for 3 seconds, the wheelchair will fold automatically. **See figure 6**



**WARNING!** To avoid injury, ensure the seatback is fully unfolded and the locking mechanism is engaged before sitting in your power chair.



Figure 5. Armrest Component Removal/Installation

Figure 6. Folding the IGO Fold

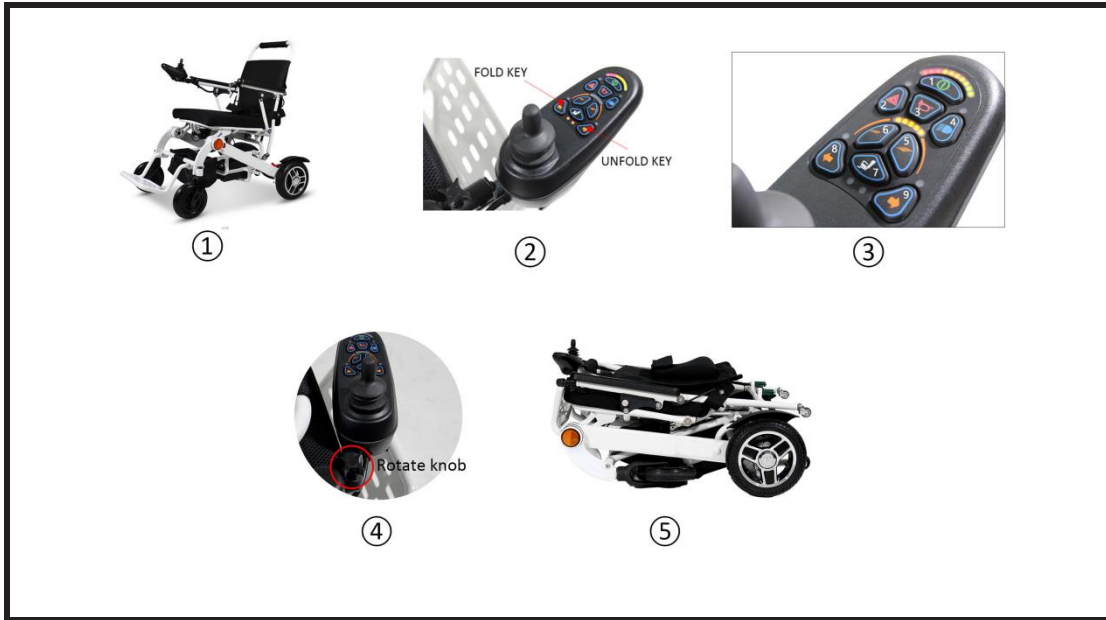


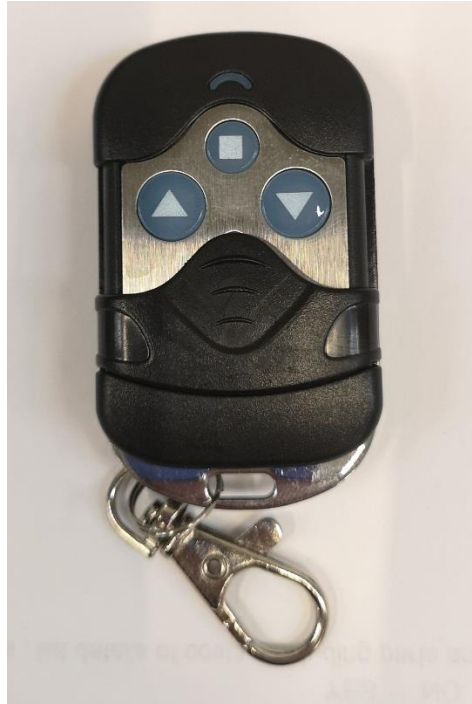
Figure 7. Unfolding the IGO Fold





## Folding and Unfolding Using the Key Fob

Your IGO Fold comes with automatic fold and unfold capabilities via a key fob as shown below.



### To operate the folding function:

- 1) Turn on your IGO Fold
- 2) Remove cushions to allow the folding process to correctly complete.
- 3) Hold down the center square button (■) for 3 seconds, once complete the battery status gauge will sequence the lights from left to right to show that it is in automatic mode.
- 4) Press the Up button (▲) and the chair will automatically fold itself away.
- 5) Ensure to turn off the power before you place the chair in storage or into the boot of your car.

### To operate the unfold function:

- 1) Turn on your IGO Fold
- 2) Hold down the center square button for 3 seconds, once complete the battery status gauge will sequence the lights from left to right to show that it is in automatic mode.
- 3) Press the Down button (▼) and the chair will automatically unfold itself.
- 4) Turn off your chair and replace the cushions.
- 5) Turn on your chair and normal functions are resumed

Please note that your IGO Fold comes with a safety feature installed under the seat cushion that will not allow for the chair to be folded if there is any weight on the sensor.

The Sensor is the U-Shaped bar in the center of the red circle shown below.



Should your Key Fob become misplaced or broken, a replacement can be purchased via your retailer. The new Key Fob will need to be “paired” with your chair before it is activated, and this must be actioned by your retailer. Do not attempt to pair the controller yourself as this is a technical procedure and you may inadvertently invalidate your warranty by breaking parts within your joystick housing.

## Batteries and Charging

### Batteries and Charging

Your power chair uses one long-lasting Lithium-Ion battery. This battery is sealed and maintenance-free. Since it is sealed, there is no need to check the electrolyte (fluid) level. Lithium-Ion batteries are designed to handle a longer and deeper discharge. Though they are similar in appearance to automotive batteries, they are not interchangeable. Automotive batteries are not designed to handle a long, deep discharge, and also are unsafe for use in power chairs.



**MANDATORY!** Battery posts, terminals, and related accessories may contain lead and lead compounds. Wear goggles and gloves when handling batteries and wash hands after handling.



**WARNING!** Contact your authorized retailer if you have any questions regarding the battery in your power chair.

### Charging the Battery

The battery charger is essential in providing long life for your power chair battery. It is designed to optimize your power chair's performance by charging the battery safely, quickly, and easily. The battery charger is only functional when the charger power cord is plugged into an electrical outlet.



**PROHIBITED!** Removal of grounding prong can create electrical hazard. If necessary, properly install an approved 3-pronged adapter to an electrical outlet having 2-pronged plug access.



**PROHIBITED!** Never use an extension cord to plug in your battery charger. Plug the charger directly into a properly wired standard electrical outlet.



**PROHIBITED!** Do not allow unsupervised children to play near the power chair while the battery is charging. It is recommended that you do not charge the battery while the power chair is occupied.



**MANDATORY!** Read the battery charging instructions in this manual and in the manual supplied with the battery charger before charging the battery.



**WARNING!** Explosive gases may be generated while charging the battery. Keep the power chair and battery charger away from sources of ignition such as flames or sparks and provide adequate ventilation when charging the battery.



**WARNING!** You must recharge your power chair's battery with the supplied off-board charger. Do not use an automotive-type battery charger.



**WARNING!** Inspect the battery charger, wiring, and connectors for damage before each use. Contact your authorized retailer if damage is found.



**WARNING!** Do not attempt to open the battery charger case. If the battery charger does not appear to be working correctly, contact your authorized retailer.



**WARNING!** Be aware that the battery charger case may become hot during charging. Avoid skin contact and do not place on surfaces that may be affected by the heat.



**WARNING!** If the battery charger is equipped with cooling slots, then do not attempt to insert objects through these slots.



**WARNING!** If your battery charger has not been tested and approved for outdoor use, then do not expose it to adverse or extreme weather conditions. If the battery charger is exposed to adverse or extreme weather conditions, then it must be allowed to adjust to the difference in environmental conditions before use indoors. Refer to the manual supplied with the battery charger for more information.

**NOTE: The IGO Fold battery can be charged with the battery box either installed on or removed from the power base.**

**To charge the battery using the off-board charger:**

1. Position the front of your power chair next to a standard electrical outlet.
2. Be certain the controller power is turned off and the freewheel levers are in the engaged position. See “Your Power Chair.”
3. Plug the off-board charger into the off-board charger/programming socket of the controller. **See figure 12.**
4. Plug the off-board charger into the electrical outlet.



**Figure 12. Battery Charging using the Off-board Charger**



**WARNING!** The LED lights on the charger indicate different charger conditions at various times: charger power on and charging complete. If the LED does not indicate that charging is completed within 24 hours, unplug the charger from the outlet and contact your authorized retailer. Refer to the manual supplied with the charger for a complete explanation of these indicators.

5. When the battery is fully charged, unplug the off-board charger from the electrical outlet and then from the controller.

**NOTE: The battery condition meter on your power chair controller displays an approximate reading of battery strength. Refer to Table 1 for battery condition meter codes.**

LEDs	Battery Percentage
5	55-100% battery remaining
4	35-55% battery remaining
3	20-34% battery remaining
2	12-19% battery remaining
1	<12% battery remaining
1st LED blinking	<5% battery remaining

**Table 1. Battery Condition Meter Codes**

**To charge the battery with the battery box remove from the power base:**

1. Remove the battery box from the power base.  
**See figure 4.**
2. Position the battery box next to a standard electrical outlet.
3. Plug the off-board charger into the battery box charger port. **See figure 13.**
4. Plug the off-board charger into the electrical outlet.

**NOTE: The provided off-board chargers contain two lights. The red light indicates that power to the off-board charger is on. The green light indicates that the battery is fully charged. If your charger is not the supplied off-board charger, follow the instructions supplied by the manufacturer.**

5. When the battery is fully charged, unplug the off-board charger from the wall outlet and then from the battery box.
6. Reinstall the battery box to the power base.



**Figure 13. Battery Charging with the Battery Box**

**NOTE: Turn off the power to the controller before removing the battery box.**

## Frequently Asked Questions (FAQs)

### How does the charger work?

The battery charger takes the standard electrical outlet voltage (alternating current) and converts it to 24V DC (direct current). The battery uses a direct current to run your power chair. When the battery voltage is low, the charger works harder to charge the battery. As the battery voltage approaches full charge, the charger does not work as hard to complete the charging cycle. When the battery is fully charged, the amperage from the charger is nearly at zero. This is how the charger maintains a charge but does not overcharge the battery.

### Can I use a different type of battery charger?

You should use the charger supplied with the power chair. It is the safest, most efficient tool to charge the battery. We do not recommend using other types of chargers (e.g., an automotive battery charger).

**NOTE: Your power chair's charger will not operate after the battery has been discharged to nearly zero capacity. If this happens, call an authorized retailer for assistance.**

### How often must I charge the battery?

When purchased, ensure to charge the power wheelchair for 24hrs before use. If unused for 3 weeks or more, charge for 24hrs.

#### ④ Daily Use

If you use your power chair on a daily basis, charge the battery as soon as you are finished using your power chair. Your power chair will be ready each morning to give you a full day's service. It is recommended that you charge the battery at least 8 to 14 hours after daily use. It is recommended that you charge your battery for an additional 4 hours after the battery charger indicates that charging is complete.

#### ④ Infrequent Use

If you use your power chair infrequently (once a week or less), you should charge the battery at least once per week for 12 to 14 hours.

***NOTE: Keep your battery fully charged and avoid deeply discharging your battery. Refer to the manual supplied with the battery charger for charging instructions.***

### How can I get maximum range or distance per charge?

Rarely do you have an ideal driving situation such as smooth, flat, hard terrain with no wind, hills, or curves. More often you are presented with hills, pavement cracks, uneven and loosely packed surfaces, curves, and wind. All of these factors will affect the distance or running time per battery charge. Below are a few suggestions for obtaining the maximum range per charge:

- ④ Always charge the battery fully prior to your trip.
- ④ Plan your trip in advance to avoid inclines if possible.
- ④ Limit baggage weight to essential items.
- ④ Try to maintain an even speed and avoid stop-and-go driving.

### What type of battery should I use?

We recommend a Lithium-Ion battery that is sealed and maintenance-free.



**WARNING! Corrosive chemicals contained in batteries. Use only Lithium-Ion batteries to reduce the risk of leakage or explosive conditions.**

### Why does my new battery seem weak?

Like nickel-cadmium batteries, Lithium-Ion batteries have a “memory” effect. Lithium-Ion batteries are specifically designed to provide power, drain down their charge, and then accept a relatively quick recharge. If the batteries are continually recharged after only being partially discharged, they lose their ability to hold a full charge.

We work closely with our battery manufacturer to provide a battery that best suits your power chair's specific demands. Fresh batteries arrive regularly at our facility and are promptly shipped with a full charge. During shipping, the battery encounters temperature extremes that may influence initial

performance. Heat robs the charge from the battery, and cold slows the power available and extends the time needed

23

to recharge the battery (just as with a car battery).

It might take a few days for the temperature of the battery to stabilize and adjust to its new ambient temperature. More importantly, it will take a few “charging cycles” (a full drain—then a full recharge) to establish the critical chemical balance that is essential to the battery’s peak performance and long life. It will be well worth it to take the time to break in your battery properly.

### **How can I ensure maximum battery life?**

A fully charged battery will provide reliable performance and extended battery life. Keep your power chair’s battery fully charged whenever possible. Batteries that are infrequently charged, repeatedly charged after only a partial discharge, or stored without a full charge may be permanently damaged, causing unreliable power chair operation and limited battery life.

***NOTE: The useful life of a battery is quite often a reflection of the care it receives.***

### **How should I store my power chair and its battery?**

If you do not use your power chair regularly, we recommend maintaining battery vitality by charging the battery at least once per week.

If you do not plan on using your power chair for an extended period, fully charge the battery prior to storage and store the power chair in a warm, dry environment. Avoid temperature extremes, such as freezing and excessively hot conditions, and never attempt to charge a frozen battery. A cold or frozen battery should be warmed to room temperature for several days prior to recharging.

### **What about public transportation?**

The supplied Lithium-Ion battery is designed for application in power chairs and other mobility vehicles. Transport of the item on commercial aircraft is subject to federal regulations and airline policy. We suggest you contact the carrier’s ticket counter in advance to determine that carrier’s specific requirements, and to ensure your power chair and its Lithium-Ion battery are permitted.

### **What about shipping?**

If you wish to use a freight company to ship your power chair to your final destination, repack your power chair in the original shipping container if possible and ship the battery in a separate box.



Your IGO Fdd is a sophisticated power chair. Like any motorized vehicle, it requires routine maintenance checks. You can perform some of these checks, but others require assistance from an authorized retailer. Preventive maintenance is very important. If you follow the maintenance checks in this section as scheduled, you can help ensure that your power chair gives you years of trouble-free operation. If you have any doubt as to your power chair's care or operation, contact an authorized retailer.



**WARNING! Do not service the power chair when the seat is occupied.**

Your power chair, like most electrical equipment, is susceptible to damage from the elements. Avoid damp areas of any kind.



**WARNING! Direct or prolonged exposure to water or dampness could cause the power chair to malfunction electronically and mechanically. Water can cause electrical components to corrode and the chair's frame to corrode. Power chairs should be examined periodically for signs of corrosion caused by water exposure, bodily fluid exposure, or incontinence. Damaged components should be replaced or treated immediately.**

### Should your power chair come in contact with water:

1. Dry your power chair as thoroughly as possible with a towel.
2. Allow your power chair to sit in a warm, dry place for 12 hours to allow unseen water to evaporate.
3. Check the controller operation and the brakes before using your power chair again.
4. If any inconsistencies are found, take your power chair to an authorized retailer. Power chairs that are frequently exposed to sources of water, such as incontinence, should be inspected often for corrosion and electronic components may need to be replaced frequently.

### Temperature

- ④ Some of the parts of your power chair are susceptible to extreme changes in temperature. Always keep your power chair between the temperatures of 18°F (-8°C) and 122°F (50°C).
- ④ In extremely cold temperatures the battery may freeze. The specific temperature at which it freezes depends on a number of factors, such as battery charge, usage, and composition of the battery (e.g., Lithium-Ion).

### General Guidelines

- ④ Avoid knocking or bumping the controller.
- ④ Avoid prolonged exposure of your power chair to extreme conditions, such as heat, cold, or moisture.
- ④ Keep the controller clean.
- ④ Check all connectors to ensure that they are all tight and secured properly.
- ④ If your power chair is equipped, make sure pneumatic tires are inflated to the psi/bar/kPa air pressure rating indicated on each tire.
- ④ Use a rubber conditioner on the tire sidewalls to help preserve them.



**WARNING! Never use a rubber conditioner on the tread areas of the tires; doing so may make the tires slippery and cause your power chair to skid.**

- ④ All wheel bearings are pre-lubricated and sealed. They require no subsequent lubrication.

- ④ Check all electrical connections. Make sure they are tight and are not corroded. Refer to the battery wiring label for the correct wiring layout.



**WARNING!** Even though the power chair has passed the necessary testing requirements for ingress of liquids, you should keep electrical connections away from sources of dampness, including direct exposure to water or bodily fluids and incontinence. Check electrical components frequently for signs of corrosion and replace as necessary.

### Daily Checks

- ④ With the controller turned off, check the joystick. Make sure it is not bent or damaged and that it returns to the neutral position when you release it. Check the rubber boot around the base of the controller for damage. Visually inspect the boot. Do not handle or try to repair it. See an authorized retailer if there is a problem.
- ④ Visually inspect the controller harness. Make sure that it is not frayed, cut, or has any wires exposed. See an authorized retailer if there is a problem.
- ④ Check for flat spots on solid tires. Flat spots could adversely affect stability.
- ④ Inspect the seating system, armrests, and front riggings for loose hardware, stress points or damage. See your authorized retailer if there is a problem.

### Weekly Checks

- ④ Inspect the controller for signs of corrosion. Contact an authorized retailer if necessary.
- ④ Ensure that all parts of the controller system are securely fastened to your power chair. Do not overtighten any screws.
- ④ Check for proper tire inflation. If a tire does not hold air, contact your authorized retailer for replacement of the tube.
- ④ Check the brakes. This test should be carried out on a level surface with at least 3 feet (1 meter) of clearance around your power chair.

### To check the brakes:

1. Turn on the controller and turn down the speed level on your power chair.
2. After one second, check the battery condition meter. Make sure that it remains on.
3. Slowly push the controller forward until you hear the electric brakes click. Immediately release the controller. You must be able to hear each electrical brake operating within a few seconds of controller movement. Repeat this test three times, pushing the controller rearwards, then left, and then right.

### Monthly Checks

- ④ Check that the anti-tip wheels do not rub the ground when you operate the power chair. Adjust them as necessary.
- ④ Check for drive tire wear. See an authorized retailer for repair.
- ④ Check the caster wheels for wear. Replace them as necessary.
- ④ Check the caster forks for damage or fluttering which indicates that they may need to be adjusted or have the bearings replaced. See an authorized retailer for repair.
- ④ Check the entire power chair for loose hardware and changes in the function or performance of the

power chair. See your authorized retailer for service and repair.

- ④ Keep your power chair clean and free of foreign material, such as mud, dirt, hair, food, drink, etc.

### **Yearly Checks**

Take your power chair to an authorized retailer for yearly maintenance, especially if you use your chair on a daily basis. This helps ensure that your power chair is functioning properly and helps prevent future complications.

## Storage

Your power chair should be stored in a dry place, free from temperature extremes. When storing, disconnect the battery from the power chair and flip the battery switch to the “0” position. See “Batteries and Charging.”



**WARNING!** If you fail to store the unit properly, the frame can corrode and the electronics can be damaged.

Batteries that are regularly and deeply discharged, infrequently charged, stored in extreme temperatures, or stored without a full charge may be permanently damaged, causing unreliable performance and limited service life. It is recommended that you charge the battery periodically throughout periods of prolonged storage to ensure proper performance.

You may wish to place several boards under the frame of your power chair to raise it off of the ground during periods of prolonged storage. This takes the weight off the tires and reduces the possibility of flat spots developing on the areas of the tires contacting the ground.

## Disposal of Your Power Chair

Your power chair must be disposed of according to applicable local and national statutory regulations. Contact your local waste disposal agency or authorized retailer for information on proper disposal of power chair packaging, metal frame components, plastic components, electronics, batteries, neoprene, silicone, and polyurethane materials.

## Frame Cleaning and Disinfection

- ④ Use a damp cloth and mild, non-abrasive cleanser to clean the plastic and metal parts of your power chair. Avoid using products that may scratch the surface of your chair.
- ④ If necessary, clean your product with an approved disinfectant. Make sure the disinfectant is safe for use on your product before application.



**WARNING!** Follow all safety instructions for the proper use of the disinfectant and/or cleaning agent before applying it to your product. Failure to comply may result in skin irritation or premature deterioration of upholstery and/or power chair finishes.

## Cushion Cleaning and Disinfection

The cushions can be easily cleaned.

**WARNING!** Do not use bleach when washing the cushions. Doing so may cause damage to the cushions.



**WARNING!** Follow all safety instructions for the proper use of the disinfectant and/or cleaning agent before applying it to your product. Failure to comply may result in skin irritation or premature deterioration of upholstery and/or power chair finishes.

## To clean the cushions:

1. Remove the cushions by detaching the reusable hook and loop fasteners that secure the cushions, and then pulling the cushions toward you.
2. Using a damp cloth and a mild, non-abrasive cleanser, spot clean the cushions as necessary.
3. Allow the cushions to air dry.






**WARNING! Never submerge the cushions in water. Doing so may cause damage to the cushions.**

**WARNING! Do not attempt to put cushions in a dryer. This may cause shrinking.**

4. Once the cushions are dry, position the cushions so that the reusable hook and loop fastener tabs face the seat and seatback. Place the cushion over any lumbar support(s) and then secure the cushions to the seat and seatback using the reusable hook and loop fastener

## Battery Replacement

A battery wiring diagram is printed on a decal located inside the battery box. See the product specifications for correct battery specifications.

   **MANDATORY!** Battery terminals and related accessories may contain lead and lead compounds. Wear goggles and gloves when handling batteries and wash hands after handling.

**WARNING!** The battery in your power chair should only be serviced or replaced by an authorized retailer or a qualified technician.



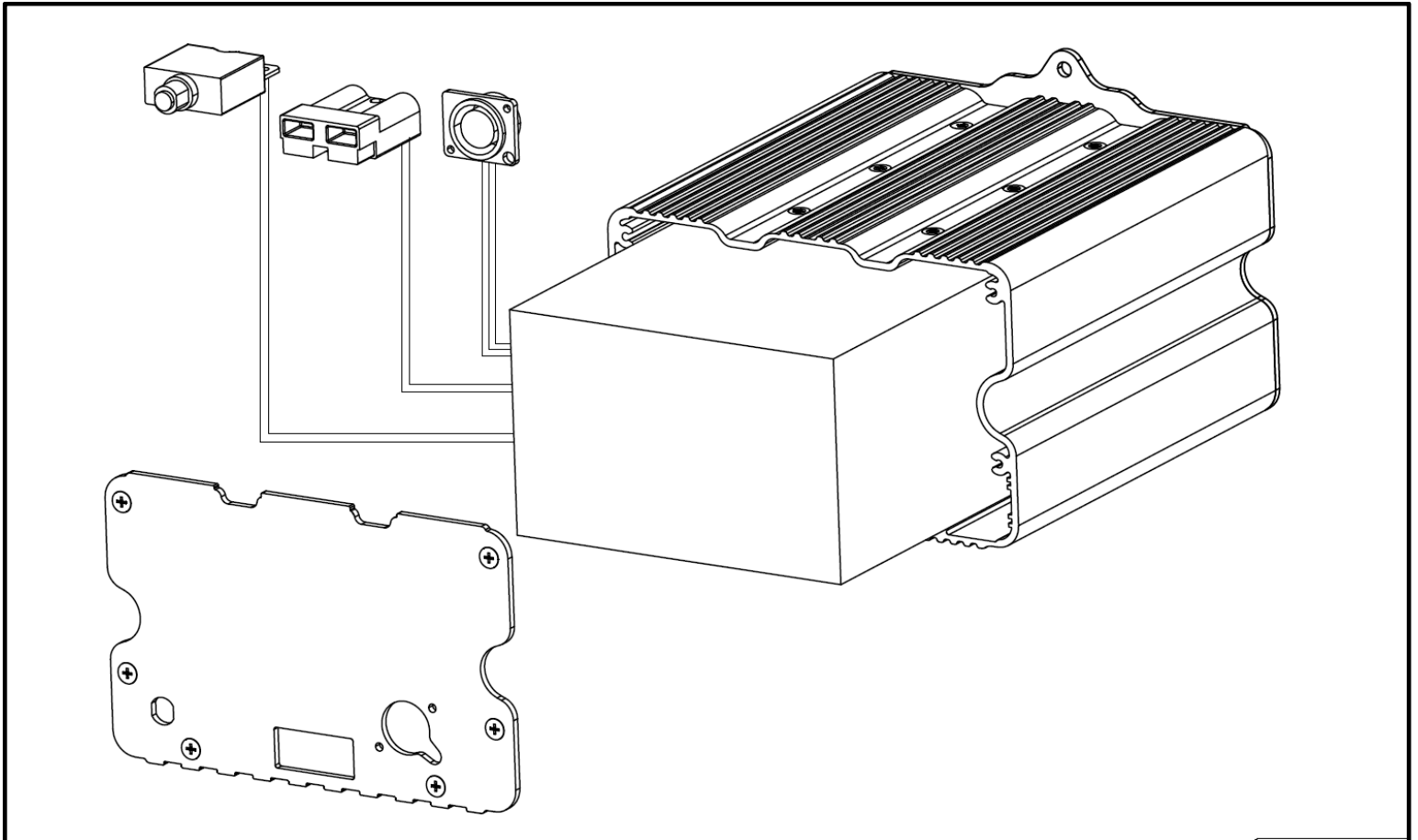
**WARNING!** Do not replace the battery when the seat is occupied.

**WARNING!** Power chair batteries may be heavy. See product specifications. If you are unable to lift that much weight, be sure to get help. Use proper lifting techniques and avoid lifting beyond your capacity.



**PROHIBITED!** Keep tools and other metal objects away from the battery terminals. Contact with tools can cause electrical shock.

**NOTE:** For a replacement power chair battery, please contact your authorized retailer.



## **When to See An Authorized retailer for Service**

The following symptoms could indicate a serious problem with your power chair. If necessary, contact an authorized retailer. When calling, have the model number, serial number, nature of the problem, and the error code if available.

- ④ Motor noise
- ④ Frayed harnesses
- ④ Cracked or broken connectors
- ④ Uneven wear on any of the tires
- ④ Jerky motion
- ④ Pulling to one side
- ④ Bent or broken wheel assemblies
- ④ Does not power up
- ④ Powers up, but does not move
- ④ Loose seat or seating components

## **Corrective Maintenance**

If the battery condition meter does not light up when you turn on the power:

- ④ Check the harness connections. Make sure they are tight.
- ④ Check the circuit breaker. Reset it if necessary.
- ④ Check the battery connections.

If the above conditions prove normal, you can load test the battery with a battery load tester. These testers are available at automotive parts stores. Disconnect the battery before load testing and follow the directions that come with the load tester. If the battery fails the load test, replace it. If your power chair still does not power up, contact an authorized retailer.

***Manufacturer:***

Suzhou Sweetrich Vehicle Industry  
Technology co., Ltd  
No 68 XinFa Road,  
Suzhou Industrial Park  
Jiangsu  
China  
215123

***(Authorised EU Representative)***

SWEMO GmbH  
Adenauerstrasse 6  
52146, Wuerselen,  
Germany

***UK Distributor:***

Pride Mobility Ltd  
32 Wedgwood Road  
Bicester,  
Oxfordshire  
OX26 4UL  
[www.Pride-mobility.co.uk](http://www.Pride-mobility.co.uk)

Product Serial #

P4020050